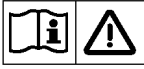





IMPORTANT SAFETY INSTRUCTIONS

This machine is only suitable for commercial use, for example in hotels, schools, hospitals, shops and offices other than normal residential housekeeping purposes.

When using an electrical appliance, basic precautions should always be followed, including the following:



Read all instructions before using this appliance.

-  **DANGER:** Failure to read and observe all **DANGER** statements could result in severe bodily injury or death. Read and observe all **DANGER** statements found in your Owner's Manual and on your machine.
-  **WARNING:** Failure to read and observe all **WARNING** statements could result in injury to you or to other personnel; property damage could occur as well. Read and observe all **WARNING** statements found in your Owner's Manual and on your machine.
-  **CAUTION:** Failure to read and observe all **CAUTION** statements could result in damage to the machine or to other property. Read and observe all **CAUTION** statements found in your Owner's Manual and on your machine.

WARNING! To reduce the risk of fire, electric shock, or injury:

1. Do not leave the appliance when it is plugged in. Unplug the unit from the outlet when not in use and before servicing.
2. To avoid electric shock, do not expose to rain. Store indoors.
3. Do not allow to be used as a toy. Close attention is necessary when used near children.
4. Use only as described in this manual. Use only the manufacturer's recommended attachments.
5. Do not use with damaged cord or plug. If the appliance is not working as it should be, has been dropped, damaged, left outdoors or dropped into water, return it to a service center.
6. Do not pull or carry by the cord, use the cord as a handle, close a door on the cord, or pull the cord around sharp edges or corners. Do not run the appliance over the cord. Keep the cord away from heated surfaces.
7. Do not unplug by pulling on the cord. To unplug, grasp the plug, not the cord.
8. Do not handle the plug, cord or appliance with wet hands.
9. Do not put any object into openings. Do not use with any opening blocked; keep free of dust, lint, hair, and anything that may reduce air flow.
10. Keep loose clothing, hair, fingers, and all parts of body away from openings and moving parts.
11. Do not pick up anything that is burning or smoking, such as cigarettes, matches, or hot ashes, or any health endangering dusts.
12. Turn off all controls before unplugging.
13. Use extra care when cleaning on stairs.
14. Do not use to pick up flammable or combustible liquids such as petrol or use in areas where they may be present.
15. If foam or liquid comes out with the vacuum exhaust, switch power off immediately. Contact Clarke if the problem persists.
16. Liquid ejected at the spray nozzle could be dangerous as a result of its temperature, pressure or chemical content.
17. Only use the brushes provided with the appliance or those specified in the instruction manual. The use of other brushes may impair safety.

SAVE THESE INSTRUCTIONS

120VAC GROUNDING INSTRUCTIONS

This appliance must be grounded. If it should electrically malfunction, grounding provides a path of least resistance for electric current to reduce the risk of electric shock. This appliance is equipped with a cord having an equipment-grounding conductor and grounding plug. The plug must be plugged into an appropriate outlet that is properly installed and grounded in accordance with all local codes and ordinances.

⚠ DANGER! Improper connection of the equipment-grounding conductor can result in a risk of electric shock. Check with a qualified electrician or service person if you are in doubt as to whether the outlet is properly grounded. Do not modify the plug provided with the appliance. If it will not fit the outlet, have a proper outlet installed by a qualified electrician.

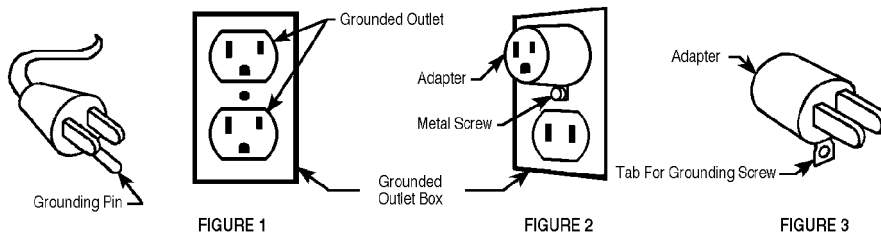
This appliance is for use on a nominal 120-volt circuit, and has a grounding plug that looks like the plug illustrated in Figure 1 below. A temporary adapter illustrated in Figures 2 and 3 may be used to connect this plug to a 2-pole receptacle as shown in Figure 2 if a properly grounded outlet is not available. The temporary adapter should be used only until a properly grounded outlet (Figure 1) can be installed by a qualified electrician. The green-colored rigid ear, tab, or the like extending from the adapter must be connected to a permanent ground such as a properly grounded outlet box cover. Whenever the adapter is used, it must be held in place by a metal screw. Grounding adapters are not approved for use in Canada.

Replace the plug if the grounding pin is damaged or broken.

The Green (or Green/Yellow) wire in the cord is the grounding wire. When replacing a plug, this wire must be attached to the grounding pin only.

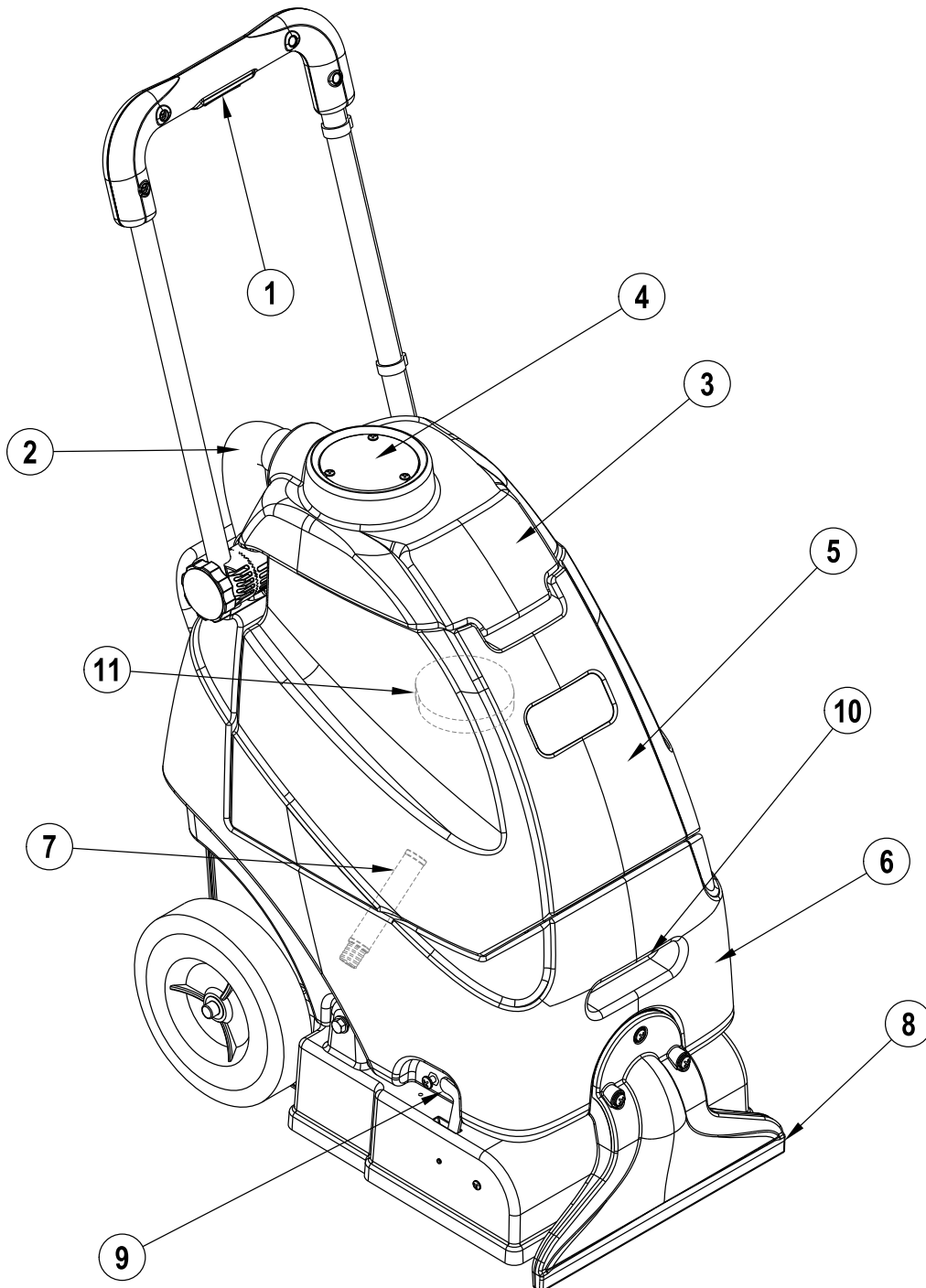
Extension cords connected to this machine should be 12 gauge, three-wire cords with three-prong plugs and outlets. DO NOT use extension cords more than 50 feet (15 m) long.

PLEASE NOTE: FOR NORTH AMERICA ONLY



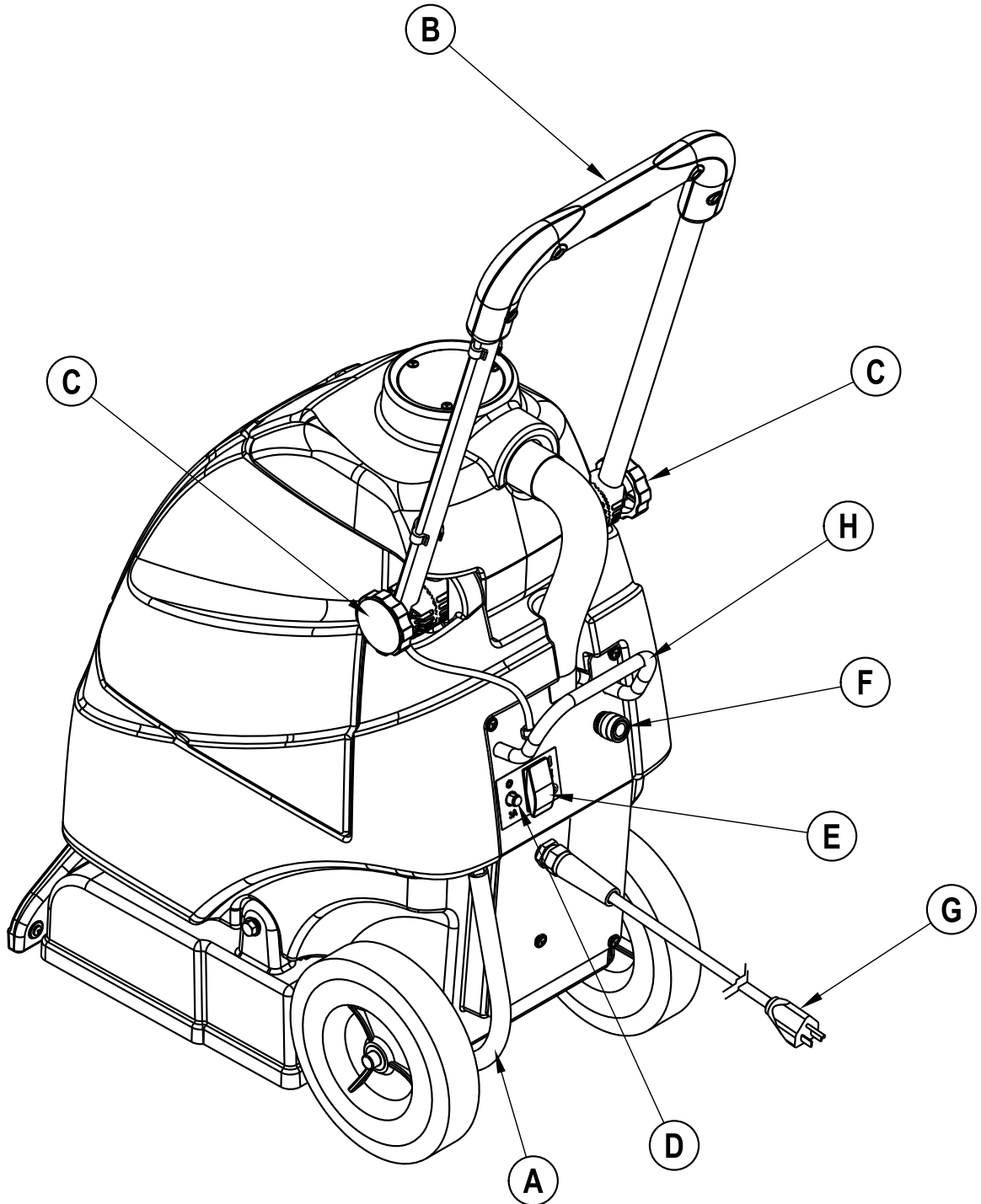
KNOW YOUR MACHINE

- 1 Solution/Brush Motor Switch
- 2 Recovery Hose
- 3 Recovery Tank Dome Lid
- 4 Dome Lid View Port
- 5 Recovery Tank
- 6 Solution Tank
- 7 Solution Screen
- 8 Vacuum Shoe
- 9 Brush Storage Position Lever
- 10 Lift Location
- 11 Vacuum Motor Filter



KNOW YOUR MACHINE (CONTINUED)

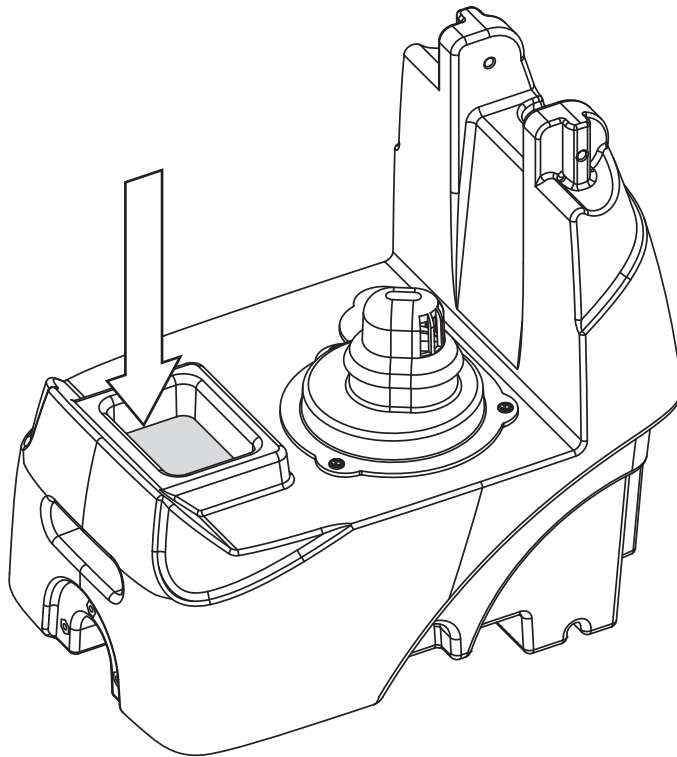
- A Solution Drain Hose / Level Indicator
- B Handle Assembly
- C Handle Adjustment Knobs
- D Brush Motor Circuit Breaker
- E Power Switch
- F Accessory Solution Port
- G Power Cord
- H Lift Handle



PREPARING THE MACHINE FOR USE**FILLING THE SOLUTION TANK**

- 1 Turn the power switch to OFF (O) and then unplug the machine.
- 2 Swing open the Recovery Tank Dome Lid (3). Lift the Recovery Tank (5) from the machine and set it off to the side.
- 3 Read the dilution instructions on the chemical container. Then calculate the proper amount of chemical to mix with your machine's solution tank capacity of water; 5 gallons (19 liters).
- 4 Pour the chemical into the Solution Tank (6) and fill the tank with hot water (maximum temperature 54°C/130°F). **NOTE:** Do not overfill the solution tank. The maximum fill point is when the solution level reaches the bottom of the lip on the tank opening. See Figure 4.
- 5 Put the Recovery Tank back on the machine. **NOTE:** Make sure the Recovery Tank is properly seated on the Solution Tank. Close the recovery tank dome lid.

⚠ CAUTION! Use low-sudsing, liquid detergents designed for carpet extraction.

FIGURE 4**BEFORE USING THE CLEAN TRACK® 12**

Thoroughly vacuum the carpet to be cleaned before using the Clean Track® 12 automatic extractor.

PRE-SPRAYING THE CARPET

Pre-spray spots and heavy traffic areas before extracting. Use a hand-held bottle sprayer or a pressurized "Hudson" type sprayer. Mix the pre-spray according to the chemical manufacturer's directions.

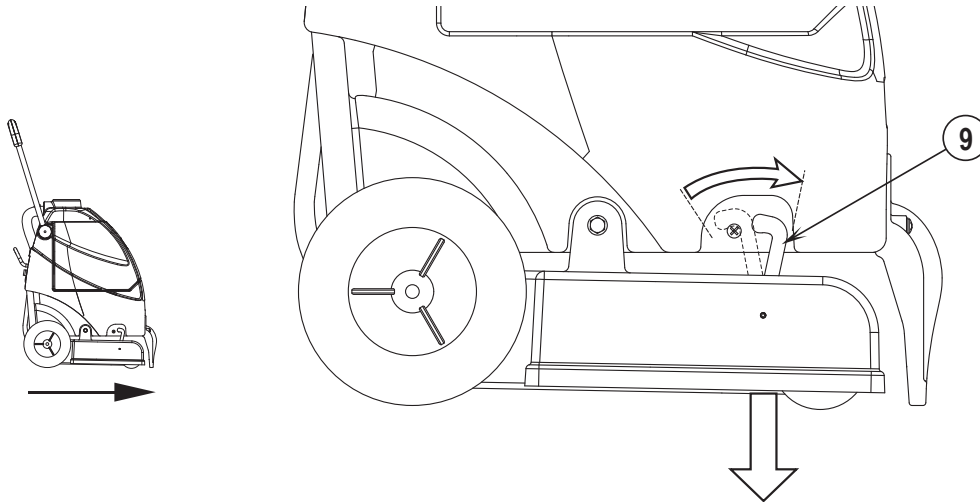
PLAN FOR CLEANING

Before you begin extracting, look at the area to be cleaned and plan your work. Divide the space into sections. Overlap each pass 2 inches (5 cm).

OPERATING THE MACHINE

- 1 Follow the instructions in the *Preparing the Machine for Use* section of this manual.
- 2 See Figure 5. Rotate the Brush Storage Position Lever (9) forward to release the machine from the storage position and lower the brush to the floor.

FIGURE 5



- 3 Loosen the Handle Height Adjustment Knobs (C) and adjust the handle height to the most comfortable position for the operator. Re-tighten the knobs once the desired height is reached.
- 4 Plug the machine into a properly grounded outlet. To start the vacuum motor, and enable the solution pump turn the Power Switch (E) to the ON (I) position.
- 5 Continually hold the Solution/Brush Motor Switch (1) to turn on the brush motor and dispense solution. Once the Solution/Brush Motor Switch (1) is released the brush motor will turn off and the solution flow will stop. The vacuum motor will continue to run as long as the power switch is in the ON (I) position.
- 6 Begin cleaning by pulling the machine along in a straight line and overlap each pass by 2 inches (5 cm). Release the Solution/Brush Motor Switch (1) prior to turns to ensure complete extraction of solution from carpet.
- 7 Watch the fluid entering the recovery tank Dome Lid View Port (4). If there is a large amount of suds in the recovery tank, add a defoamer chemical to the recovery tank.

CAUTION! Empty the recovery tank before the fluid or foam enters the vacuum motor.

If there is little or no fluid entering the recovery tank, check the Solution Drain Hose / Level Indicator (A), the solution tank may be empty. Refill the solution tank with water and the proper ratio of cleaning chemical. Empty the recovery tank each time the solution tank needs to be refilled.

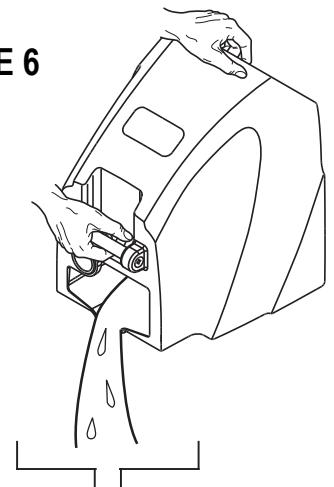
- 8 When the fluid reaches a full level the recovery tank must be emptied.

CAUTION! Do not continue to extract once the recovery tank becomes full.

The machine can continue to dispense solution, and will continue to pick up solution even though the recovery tank may be full. This would result in damage to the vacuum motor. If using the extractor to pick up solution already on the floor without dispensing solution be sure to frequently check the level of solution in the recovery tank. Open the recovery tank dome lid to check the level of solution in the recovery tank.

- 9 When the operator wants to stop cleaning or the recovery tank is full, release the Solution/Brush Motor Switch (1). Then turn the power switch OFF (O) and unplug the machine. Coil up the cord and wrap around the Handle Assembly (B).
- 10 Push the machine to a designated waste water "DISPOSAL SITE" and empty the recovery tank. To empty, swing open the recovery tank lid and remove the recovery tank from machine. Grasp the recovery tank as shown in Figure 6 and drain. Refill the solution tank and continue cleaning.

FIGURE 6



USING ATTACHMENTS

To use accessory tools, disconnect the recovery hose at the Recovery Tank Dome Lid (3). Attach the accessory's recovery hose to the Dome Lid in place of the machine's recovery hose. Attach the accessory's solution hose (waterline) to the machine's Accessory Solution Port (F).

See your Clarke Distributor for accessories that may be used with the *Clean Track*® 12.

AFTER USING THE MACHINE

- 1 Turn the Power Switch OFF (O). Unplug the Power Cord (G). Coil the cord and hang it from the cord hook.
- 2 To empty the solution tank, pull the Solution Drain Hose (A) off the upper hose barb. Direct the hose to a designated waste water "DISPOSAL SITE". Rinse the tank with clean water. Inspect the solution hoses; replace if kinked or damaged.
- 3 To empty the recovery tank, swing open the recovery tank lid and lift the Recovery Tank (5) off the machine. Empty the tank at a designated waste water "DISPOSAL SITE". Rinse the tank with clean water. Inspect the recovery hose; replace if kinked or damaged.
- 4 Remove the brush, rinse with warm water and remove any built-up string, hair or carpet fibers.
- 5 Disconnect the Recovery Hose (2) from the Recovery Tank Dome Lid (3) and flush with warm water to wash any debris out of the Recovery Hose and Vacuum Shoe.
- 6 Wipe the machine with a damp cloth. Do not use abrasive chemicals or solvents.
- 7 Perform any required maintenance before storage.

MAINTENANCE SCHEDULE

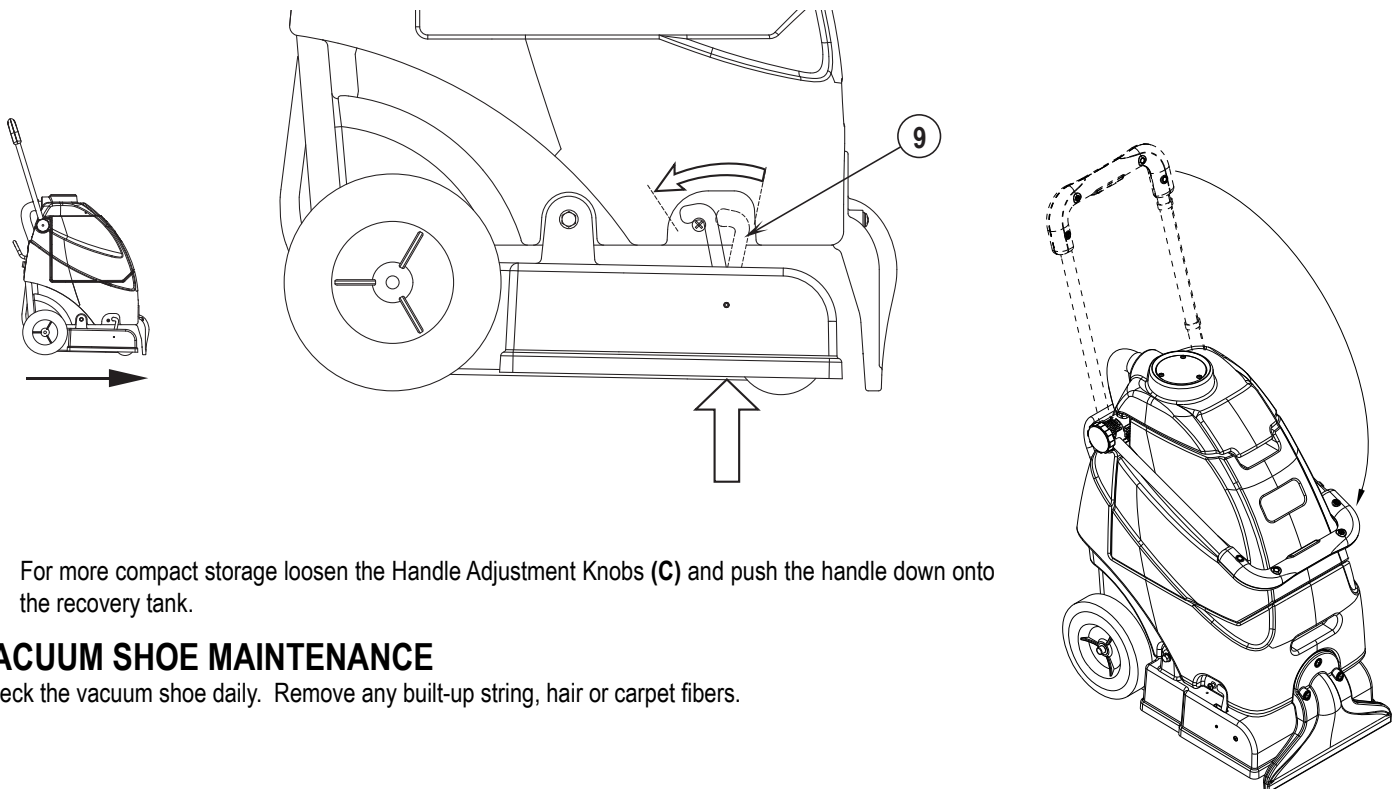
MAINTENANCE ITEM	Daily	Weekly	Monthly	Yearly
Check / Clean Power Brush	•			
Check / Clean Tanks & Hoses	•			
Clean Vacuum Shoe	•			
Check/Clean the vacuum motor foam filter	•			
Inspect & Clean Solution Screen		•		
Clean Spray Nozzle			•	
*Check Carbon Brushes				•

* Have a Clarke service technician check the vacuum motor carbon brushes once a year or after 300 operating hours. The brush motor carbon brushes check every 500 hours or once a year.

⚠ IMPORTANT! Motor damage resulting from failure to service the carbon brushes is not covered under warranty. See the Limited Warranty Statement.

- 8 Store the machine indoors in a clean, dry place with the tank dome lid open. Keep from freezing.
- 9 Place the machine in the storage position. This will prevent the brush from taking a "set", and will increase the brush life and maintain the performance of the brush. See Figure 7. Lift up on the base of the machine and rotate the Brush Storage Position Lever (9) backwards to latch the base in the storage position.

FIGURE 7



For more compact storage loosen the Handle Adjustment Knobs (C) and push the handle down onto the recovery tank.

VACUUM SHOE MAINTENANCE

Check the vacuum shoe daily. Remove any built-up string, hair or carpet fibers.